

Schottky Barrier Diode

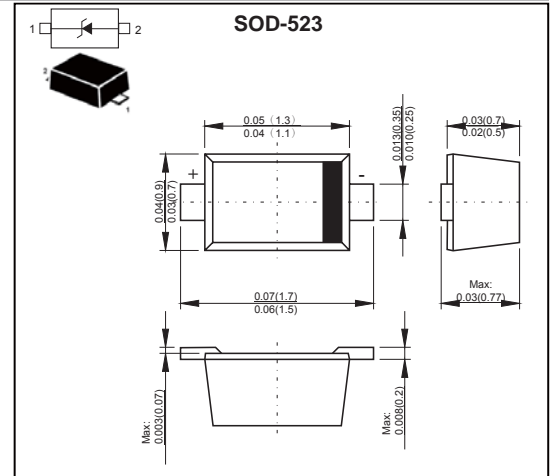
VOLTAGE RANGE: 30V PEAK PULSE POWER:200mW

Features

- V_R 30V
- $I_F(AV)$ 200mA
- Low Forward Voltage Drop

MECHANICAL DATA

- Case: SOD-523 Small Outline Plastic Package
- Polarity: Color band denotes cathode end
- Mounting Position: Any



MAXIMUM RATINGS AND CHARACTERISTICS

Ratings at 25°C ambient temperature unless otherwise specified

Item	Symbol	Unit	Conditions	Limit
Power Dissipation	PD	mW		200
Storage Temperature	TSTG	°C		-65 to +125
Junction Temperature	TJ	°C		125
Repetitive Peak Reverse Voltage	VRRM	V		30
Maximum DC Blocking Voltage	VR	V		30
Average Forward Rectified Current	$I_F(AV)$	mA		200
Peak Forward Surge Current	IFSM	A		4

Electrical Specification ($T_A=25^\circ\text{C}$ unless otherwise specified)

Item	Symbol	Unit	Conditions	Min	Max
Breakdown Voltage	VR	V	$I_R=10\mu\text{A}$	30	
Reverse Leakage Current	I_R	μA	$V_R=25\text{V}$		2
Forward Voltage	VF	V	$I_F=0.1\text{mA}$		0.24
			$I_F=1.0\text{mA}$		0.32
			$I_F=10\text{mA}$		0.40
			$I_F=30\text{mA}$		0.50
			$I_F=100\text{mA}$		0.80
Reverse Recovery Time	TRR	ns	$I_F=I_R=10\text{mA}, R_L=100\Omega, I_{RR}=1\text{mA}$		5
Capacitance	C	pF	$V_R=1\text{V}, f=1\text{MHZ}$		10

Marking 5B

Packing Information

Device	Package	Shipping
BAT54XV2	SOD-523	3000/Tape&Reel

RATINGS AND CHARACTERISTIC CURVES

Typical Characteristics

Fig.1 Total Capacitance

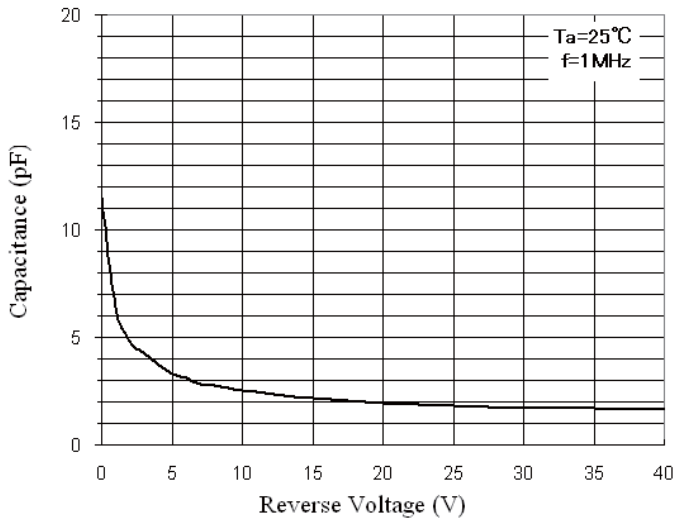


Fig.2 Forward Voltage vs Ambient Temperature

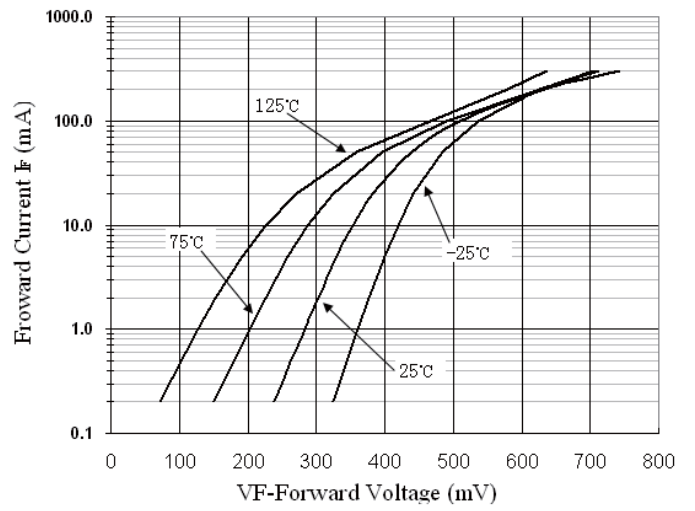


Fig.3 Reverse Current vs Reverse Voltage

